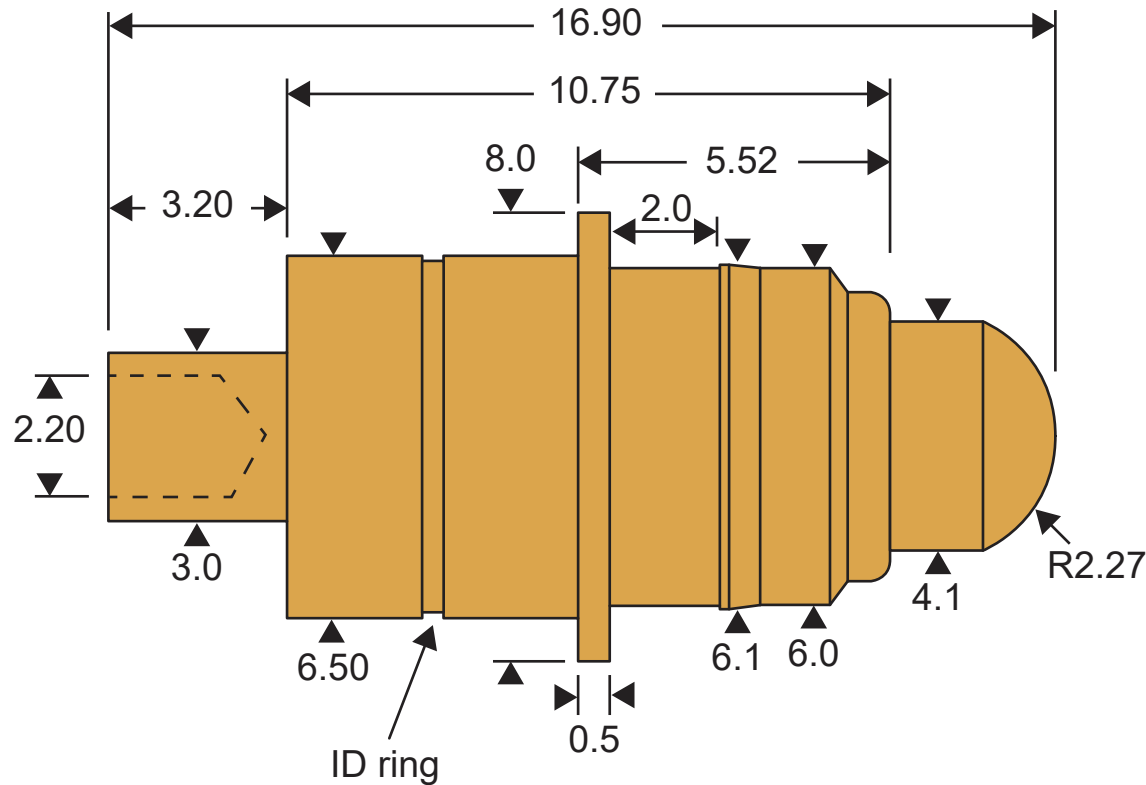


# Water-proof spring contact pin, back fitment PD16JXT-SP-WET



## Test Probes & Interfacing Components

Telephone: +44 (0)1787 478678 | sales@coda-systems.co.uk | technical@coda-systems.co.uk | Fax: +44 (0)1787 274194



Specifications	
<b>Materials</b>	
Body, plunger 1, plunger 2, spring; stainless steel O-Ring; FKM	
<b>Plating</b>	
Body, plunger 1, plunger 2; gold	
<b>Electrical</b>	
Rated current & voltage at working height; Quiescent use; 8amps, DC continuous at 12v Active use; 4amps, DC continuous at 12v	
<b>Mechanical</b>	
Spring force; 425g +/-20% at working height Temperature range; -15 - +150°C	
<b>Design</b>	
To ensure the best usage, please ensure operation position is based on the working height	
<b>Rating</b>	
Water-proof, dust-proof, corrosion resistant Independent testing recommended	
<b>Installation</b>	
Press fitment from the back Mounting hole size; 6.05mm (hard plastics), 6.00mm (soft plastics) Plunger travel at working height; 2.05mm Connection method; Solder pot or solder in Panel thickness; 5.0mm	

Registered community designs

- 1. 6491334
- 2. 6491335
- 3. 6491336

PART NUMBER <b>PD16JXT-SP-WET</b>		THE INFORMATION CONTAINED IN THIS DRAWING IS THE PROPERTY OF © CODA SYSTEMS LTD. NOT TO BE COPIED OR DISCLOSED TO A THIRD PARTY WITHOUT THE PRIOR, WRITTEN CONSENT OF CODA SYSTEMS LTD.	
SIZE A4	SCALE NTS	DRAWN IN ACCORDANCE WITH ISO STANDARDS	UNLESS OTHERWISE SPECIFIED 1. DIMENSIONS ARE IN MM 2. DIMENSIONAL LIMITS APPLY AFTER PLATING / COATING 3. REMOVE ALL BURRS AND BREAK EDGES .25 MAX 4. MACHINE FILLET RADIUS .25 MAX 5. MACHINED SURFACES FLAT WITHING 0.08 mm/mm 6. NON-MACHINED SURFACES FLAT WITHIN 0.25 mm/mm 7. DIAMETERS ON COMMON CL TO BE CONCENTRIC WITHIN 0.13 8. PERPENDICULAR SURFACES TO BE SQUARE WITHIN .13 mm/mm 9. REFERENCE ( ) DIMENSIONS HAVE NO TOLERANCES
RoHS Compliant? <input checked="" type="checkbox"/>		VERSION A1	
		DATE 11/05/26	