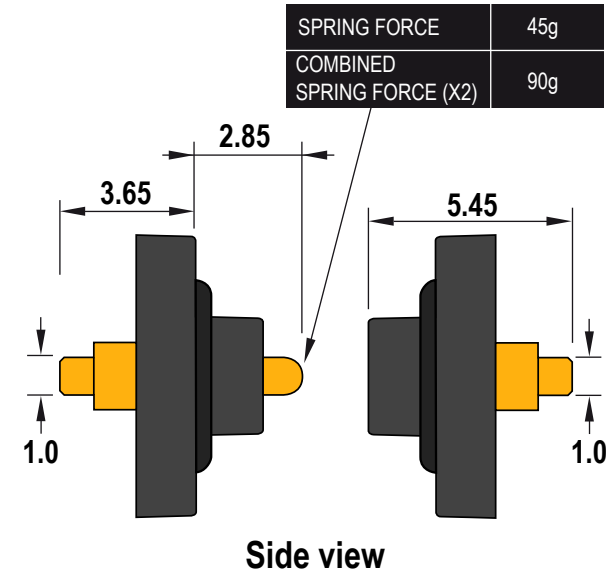
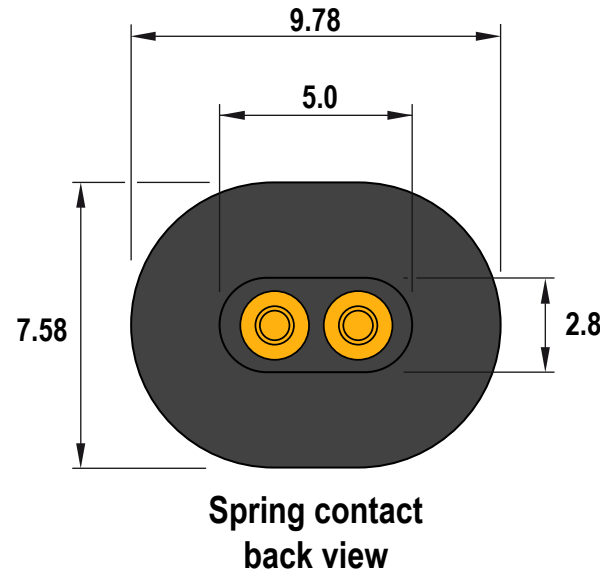
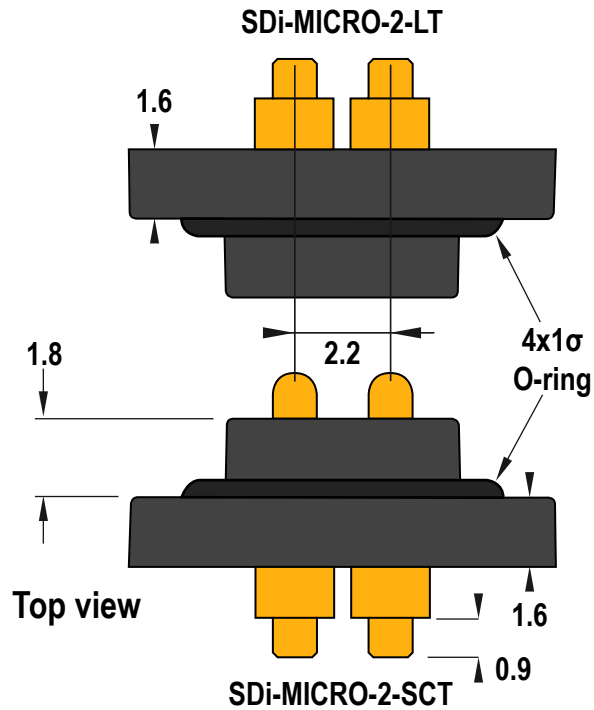


SDi-MICRO-2-SCT & LT
Spring loaded docking connector, direct PCB mounting or flexi-PCB

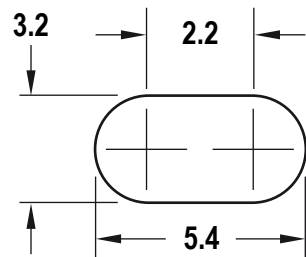


Test Probes & Interfacing Components

Telephone: +44 (0)1787 478678 | sales@coda-systems.co.uk | technical@coda-systems.co.uk



Spring contact: PDOJST
Contact land: IPPORT
Ideal compression of PDO: 0.8mm



Panel cut-out dimensions

PART NUMBER				SDi-MICRO-2-SCT & SDi-MICRO-2-LT		THE INFORMATION CONTAINED IN THIS DRAWING IS THE PROPERTY OF © CODA SYSTEMS LTD. NOT TO BE COPIED OR DISCLOSED TO A THIRD PARTY WITHOUT THE PRIOR, WRITTEN CONSENT OF CODA SYSTEMS LTD.	
SIZE	SCALE	PLASTIC TYPE	VERSION		TOLERANCES		UNLESS OTHERWISE SPECIFIED 1. DIMENSIONS ARE IN MM 2. DIMENSIONAL LIMITS APPLY AFTER PLATING / COATING 3. REMOVE ALL BURRS AND BREAK EDGES .25 MAX 4. MACHINE FILLET RADIUS .25 MAX 5. MACHINED SURFACES FLAT WITHING 0.08 mm/mm 6. NON-MACHINED SURFACES FLAT WITHIN 0.25 mm/mm 7. DIAMETERS ON COMMON CL TO BE CONCENTRIC WITHIN 0.13 8. PERPENDICULAR SURFACES TO BE SQUARE WITHIN .13 mm/mm 9. REFERENCE () DIMENSIONS HAVE NO TOLERANCES
A4	NTS	POLYAMIDE PA66	A		LINEAR .x = ± 0.2mm .xx = ± 0.10mm .xxx = ± 0.025mm SURFACE ANGULAR ± 1°		
RoHS Compliant?				<input checked="" type="checkbox"/>			
ENGINEER		CHECKED BY		DATE	DRAWN IN ACCORDANCE WITH ISO STANDARDS		
G. D		H. D		18/06/24			