

Front fitment connector Ideal for use in power charging systems up to 100 amps, with signalling pins for a safety interlock, charge monitoring and system temperature in applications such as:  
 Electric vehicles, mobile power supplies, heavy machine interconnect systems, solar energy systems, aeronautical, test systems

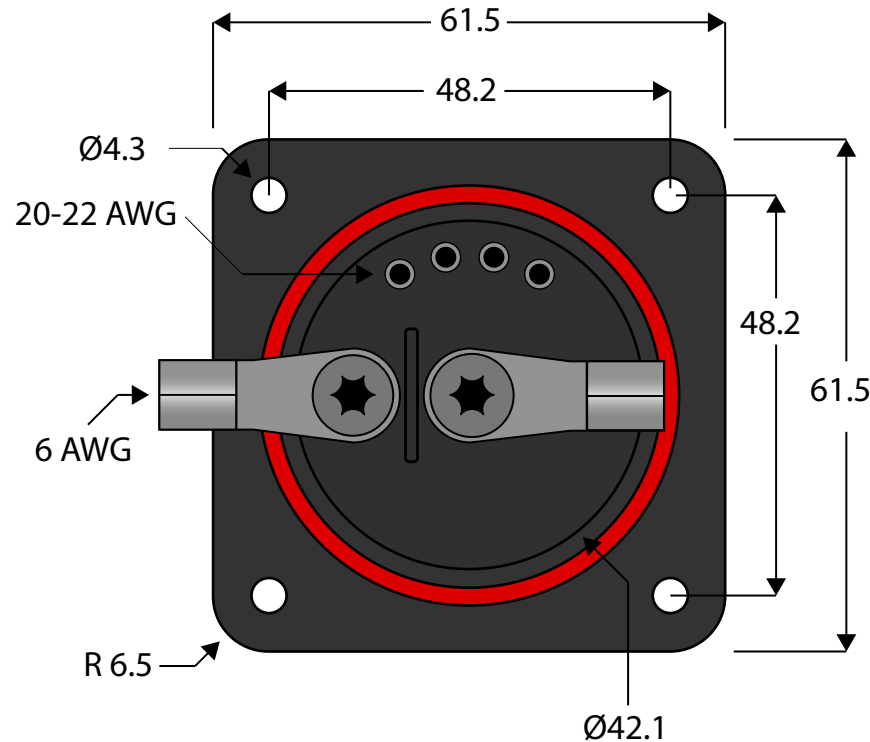
CAD files and technical information available on our website



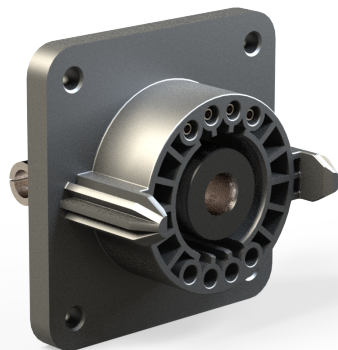
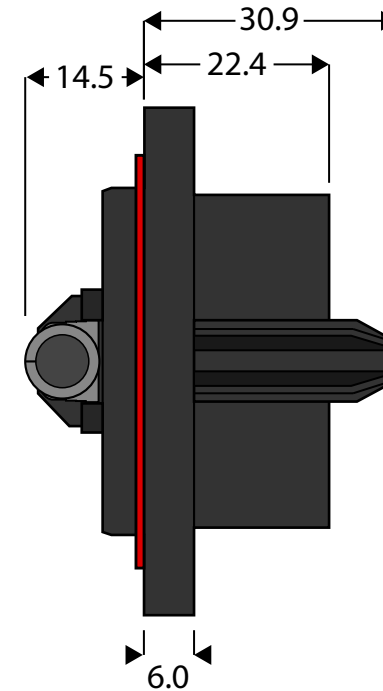
# Test Probes & Interfacing Components

Telephone: + 44 (0)1787 478678 | sales@coda-systems.co.uk | technical@coda-systems.co.uk | www.coda-systems.co.uk

Rear view



Side view



PART NUMBER		POWER-DOCK-FF-C2P-4S-F		THE INFORMATION IN THIS DRAWING IS THE PROPERTY OF CODA SYSTEMS LTD. NOT TO BE COPIED OR DISCLOSED TO A THIRD PARTY WITHOUT THE PRIOR, WRITTEN CONSENT OF CODA SYSTEMS LTD.	
SIZE	PLASTIC TYPE	SCALE	TOLERANCES	UNLESS OTHERWISE SPECIFIED 1. DIMENSIONS ARE IN MM 2. DIMENSIONAL LIMITS APPLY AFTER PLATING/COATING 3. REMOVE ALL BURRS AND BREAK EDGES .25 MAX 4. MACHINE FILLET RADIUS .25 MAX 5. MACHINED FLAT SURFACES FLAT WITHIN 0.08mm/mm 6. NON-MACHINED SURFACES FLAT WITHIN 0.025mm/mm 7. DIAMETERS ON COMMON CL TO BE CONCENTRIC WITHIN 0.13mm 8. PERPENDICULAR SURFACES TO BE SQUARE WITHIN .13mm/mm 9. PREFERENCE ( ) DIMENSIONS HAVE NO TOLERANCES	
A4	PA66+GF30	Not to scale	Linear Tol.: .X = ±0.2mm .XX = ±0.10mm .XXX = ±0.025mm  Angular Tol.: 1°		
RoHS COMPLIANT		<input checked="" type="checkbox"/>			
ENGINEER	CHECKED BY	DATE	DRAWN IN ACCORDANCE WITH ISO STANDARDS		
G. DAVIS	H. S. D	05.09.23			