

Contact Land, front fitment, for closure connectors, Turret solder connection
LT-LARGE-LT

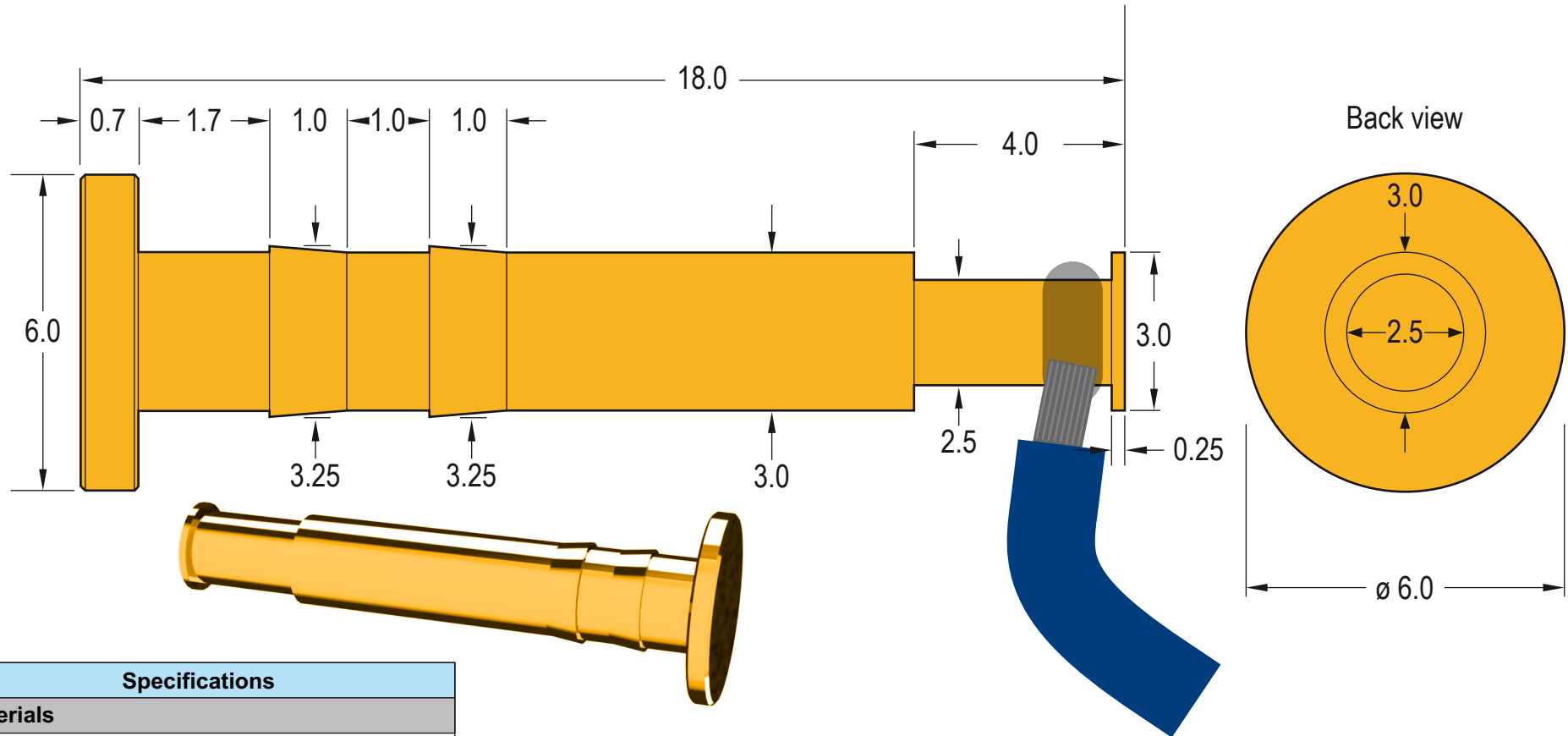


Test Probes & Interfacing Components

Telephone: +44 (0)1787 478678

sales@codasystems.co.uk

technical@codasystems.co.uk



Specifications	
Materials	Brass CZ121
Plating	Gold plating over E. N. P.
Installation	<ul style="list-style-type: none"> • Press fitment from the top • Mounting hole size; 3.0 to 3.1mm • Connection method; Solder cable around turret • Panel thickness; 6.0mm min.

PART NUMBER LT-LARGE-LT		THE INFORMATION CONTAINED IN THIS DRAWING IS THE PROPERTY OF © CODA SYSTEMS LTD. NOT TO BE COPIED OR DISCLOSED TO A THIRD PARTY WITHOUT THE PRIOR, WRITTEN CONSENT OF CODA SYSTEMS LTD.	
SIZE A4	SCALE NTS	DRAWN IN ACCORDANCE WITH ISO STANDARDS	UNLESS OTHERWISE SPECIFIED 1. DIMENSIONS ARE IN MM 2. DIMENSIONAL LIMITS APPLY AFTER PLATING / COATING 3. REMOVE ALL BURRS AND BREAK EDGES .25 MAX 4. MACHINE FILLET RADIUS .25 MAX 5. MACHINED SURFACES FLAT WITHIN 0.08 mm/mm 6. NON-MACHINED SURFACES FLAT WITHIN 0.25 mm/mm 7. DIAMETERS ON COMMON CL TO BE CONCENTRIC WITHIN 0.13 8. PERPENDICULAR SURFACES TO BE SQUARE WITHIN .13 mm/mm 9. REFERENCE () DIMENSIONS HAVE NO TOLERANCES
RoHS Compliant? <input checked="" type="checkbox"/>		DATE 14/04/23	
		VERSION D2	