

**SD-DATAPOWER-8**  
Spring loaded data & power hybrid array, solder to PCB cable connection.



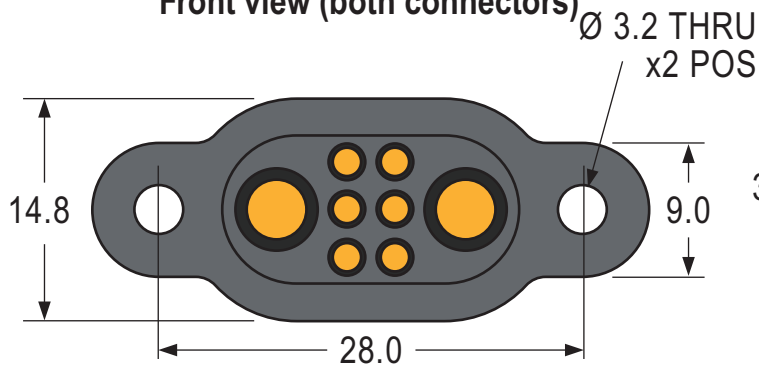
**Test Probes & Interfacing Components**

Telephone: +44 (0)1787 478678

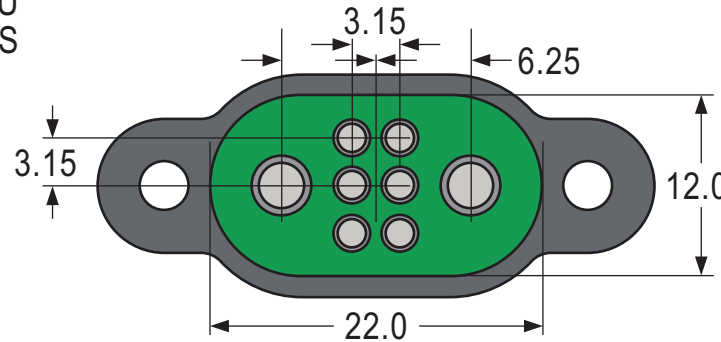
sales@coda-systems.co.uk

technical@coda-systems.co.uk

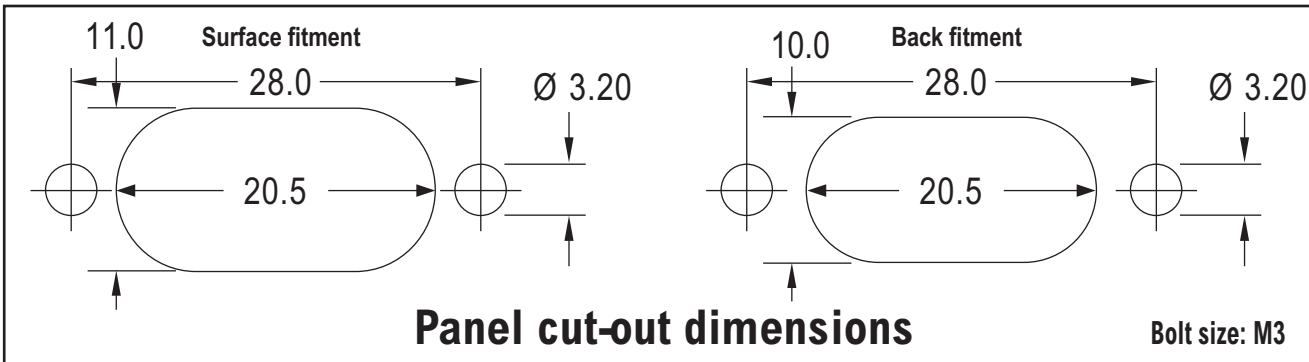
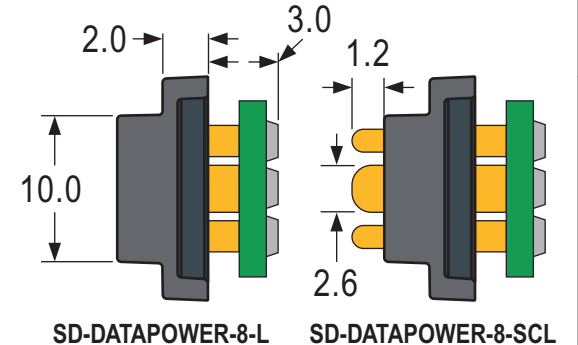
Front view (both connectors)



Back view (both connectors)

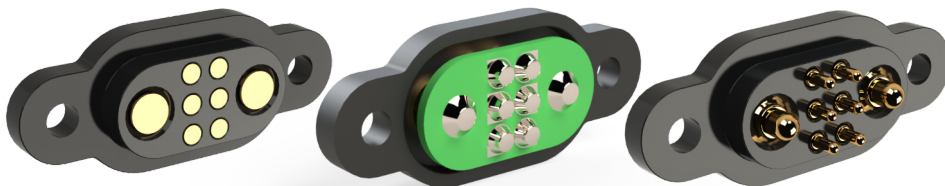


Side views



SPRING FORCE AT 2.0mm TRAVEL	45g & 120g
COMBINED SPRING FORCE (x8)	510g

Spring contact: PD14JLT-SP & PD11JST-SP  
Contact land: IPPS2R & IPP11R  
Ideal compression: 2.0mm



PART NUMBER <b>SD-DATAPOWER-8-SCL spring connector</b> <b>SD-DATAPOWER-8-L land connector</b>			THE INFORMATION CONTAINED IN THIS DRAWING IS THE PROPERTY OF © CODA SYSTEMS LTD. NOT TO BE COPIED OR DISCLOSED TO A THIRD PARTY WITHOUT THE PRIOR, WRITTEN CONSENT OF CODA SYSTEMS LTD.
SIZE <b>A4</b>	SCALE <b>NTS</b>	DRAWN IN ACCORDANCE WITH ISO STANDARDS	<b>UNLESS OTHERWISE SPECIFIED</b> 1. DIMENSIONS ARE IN MM 2. DIMENSIONAL LIMITS APPLY AFTER PLATING / COATING 3. REMOVE ALL BURRS AND BREAK EDGES .25 MAX 4. MACHINE FILLET RADIUS .25 MAX 5. MACHINED SURFACES FLAT WITHING 0.08 mm/mm 6. NON-MACHINED SURFACES FLAT WITHIN 0.25 mm/mm 7. DIAMETERS ON COMMON CL TO BE CONCENTRIC WITHIN 0.13 8. PERPENDICULAR SURFACES TO BE SQUARE WITHIN .13 mm/mm 9. REFERENCE ( ) DIMENSIONS HAVE NO TOLERANCES
PLASTIC TYPE <b>Polyamide PA66</b>		DATE <b>25/10/21</b>	
RoHS Compliant? <input checked="" type="checkbox"/>		VERSION <b>A0</b>	