

SD-DATAPOWER-8
Spring loaded data & power hybrid array, solder to PCB cable connection.



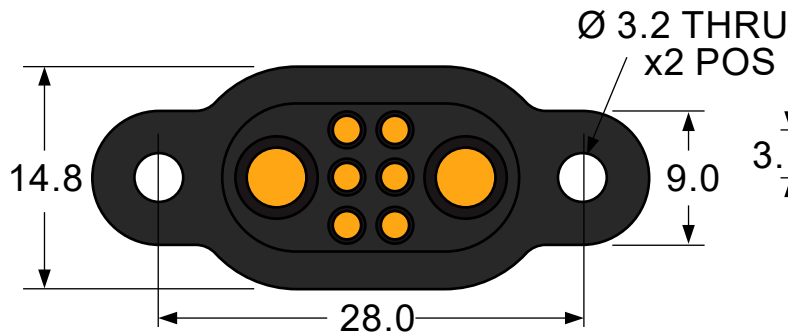
Test Probes & Interfacing Components

Telephone: +44 (0)1787 478678

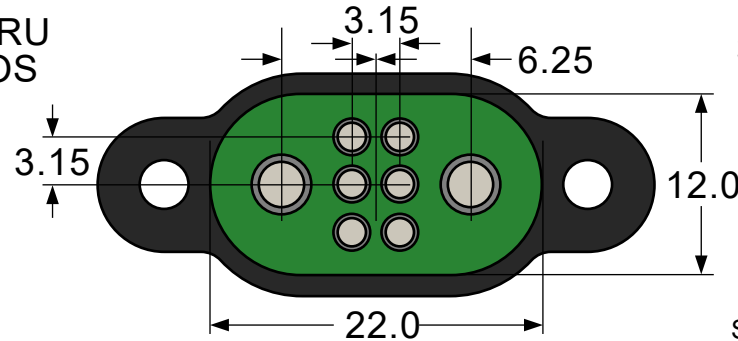
sales@coda-systems.co.uk

technical@coda-systems.co.uk

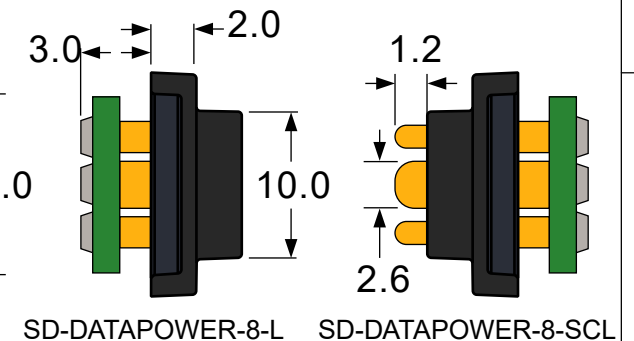
Front view (both connectors)



Back view (both connectors)

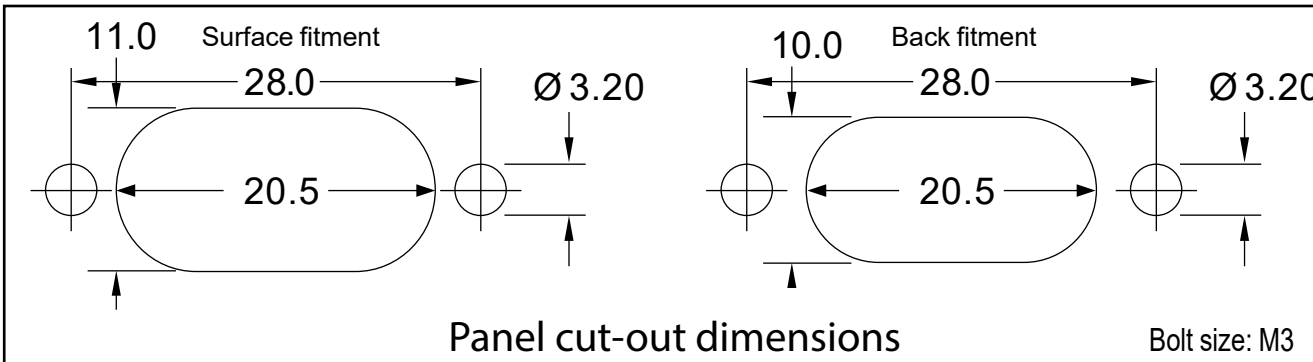


Side views



Spring force at 2.0mm travel	45g & 120g
Combined spring force (x8)	510g

Spring contact: PD14JLT-SP & PD11JST-SP
Ideal compression: 2.0mm



PART NUMBER SD-DATAPOWER-8-SCL & SD-DATAPOWER-8-L		REGISTERED COMMUNITY DESIGN REGISTRATION NUMBER UK: SD-DATAPOWER-8-L: 6 208 846, EU: 009 032 238-0007 UK: SD-DATAPOWER-8-SCL: 6 208 847, EU: 009 032 238-0008		THE INFORMATION CONTAINED IN THIS DRAWING IS THE PROPERTY OF © CODA SYSTEMS LTD. NOT TO BE COPIED OR DISCLOSED TO A THIRD PARTY WITHOUT THE PRIOR, WRITTEN CONSENT OF CODA SYSTEMS LTD.	
SIZE A4	SCALE NTS	PLASTIC TYPE POLYAMIDE PA66	VERSION D4	TOLERANCES LINEAR .x = ± 0.2mm .xx = ± 0.10mm .xxx = ± 0.025mm SURFACE ANGULAR ± 1°	
RoHS Compliant? <input checked="" type="checkbox"/>				UNLESS OTHERWISE SPECIFIED 1. DIMENSIONS ARE IN MM 2. DIMENSIONAL LIMITS APPLY AFTER PLATING / COATING 3. REMOVE ALL BURRS AND BREAK EDGES .25 MAX 4. MACHINE FILLET RADIUS .25 MAX 5. MACHINED SURFACES FLAT WITHIN 0.08 mm/mm 6. NON-MACHINED SURFACES FLAT WITHIN 0.25 mm/mm 7. DIAMETERS ON COMMON CL TO BE CONCENTRIC WITHIN 0.13 8. PERPENDICULAR SURFACES TO BE SQUARE WITHIN .13 mm/mm 9. REFERENCE () DIMENSIONS HAVE NO TOLERANCES	
ENGINEER K. PERRY		CHECKED BY H. DAVIS		DATE 25/10/21	
DRAWN IN ACCORDANCE WITH ISO STANDARDS					