

**SD-DATA-7**  
 Spring loaded data array,  
 solder wire to PCB pad  
**SD-DATA-SCL and SD-DATA-7-L**



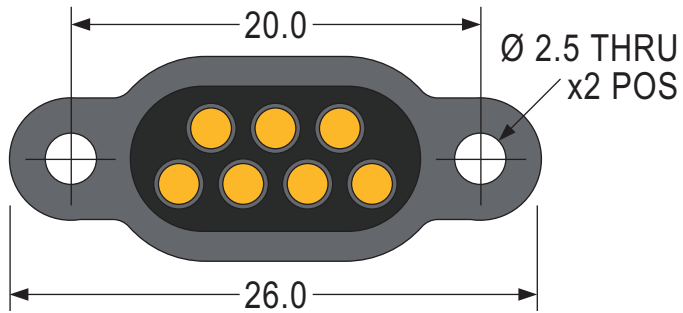
**Test Probes &  
 Interfacing Components**

Telephone: +44 (0)1787 478678

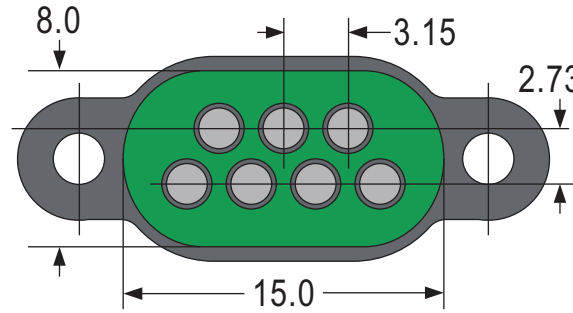
sales@coda-systems.co.uk

technical@coda-systems.co.uk

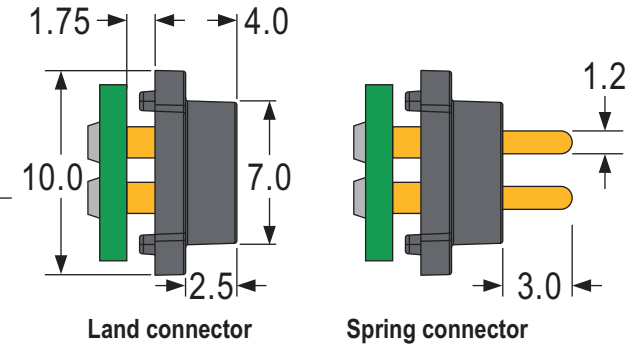
Front view (both connectors)



Back view (both connectors)

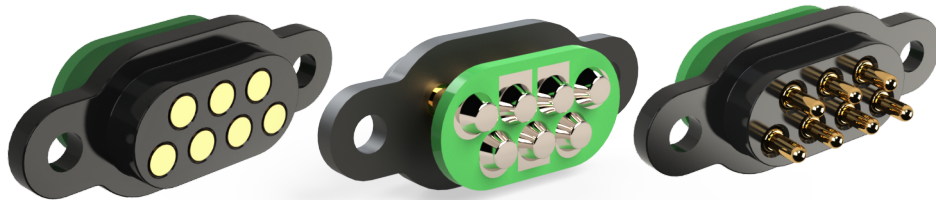
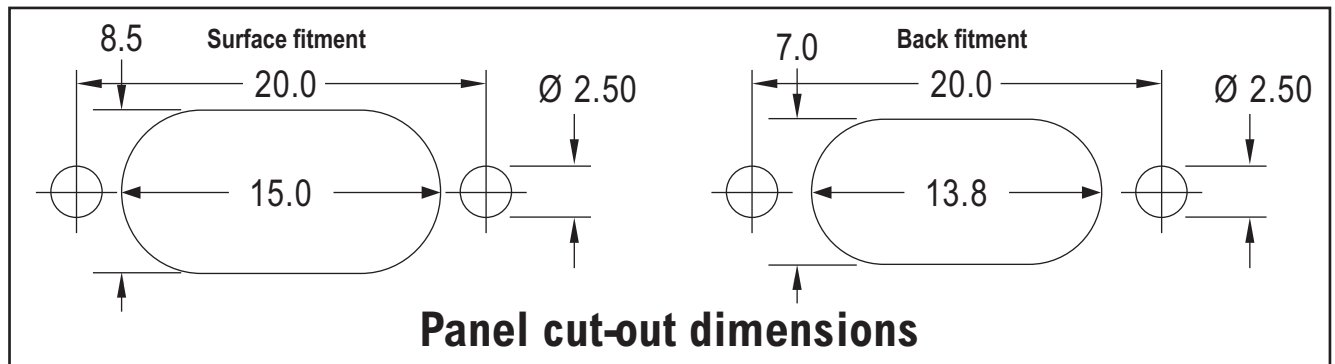


Side views



Spring contact: PD14JLT-SP  
 Contact land: IPPS2R  
 Ideal compression: 2.0mm

SPRING FORCE AT 2.0mm TRAVEL	45g
COMBINED SPRING FORCE (x7)	315g



PART NUMBER <b>SD-DATA-7</b>		THE INFORMATION CONTAINED IN THIS DRAWING IS THE PROPERTY OF © CODA SYSTEMS LTD. NOT TO BE COPIED OR DISCLOSED TO A THIRD PARTY WITHOUT THE PRIOR, WRITTEN CONSENT OF CODA SYSTEMS LTD.	
SIZE <b>A4</b>	SCALE <b>NTS</b>	DRAWN IN ACCORDANCE WITH ISO STANDARDS	<b>UNLESS OTHERWISE SPECIFIED</b> 1. DIMENSIONS ARE IN MM 2. DIMENSIONAL LIMITS APPLY AFTER PLATING / COATING 3. REMOVE ALL BURRS AND BREAK EDGES .25 MAX 4. MACHINE FILLET RADIUS .25 MAX 5. MACHINED SURFACES FLAT WITHIN 0.08 mm/mm 6. NON-MACHINED SURFACES FLAT WITHIN 0.25 mm/mm 7. DIAMETERS ON COMMON CL TO BE CONCENTRIC WITHIN 0.13 8. PERPENDICULAR SURFACES TO BE SQUARE WITHIN .13 mm/mm 9. REFERENCE ( ) DIMENSIONS HAVE NO TOLERANCES
<b>RoHS Compliant?</b> <input checked="" type="checkbox"/>		DATE <b>06/10/21</b>	
		VERSION <b>A0</b>	