

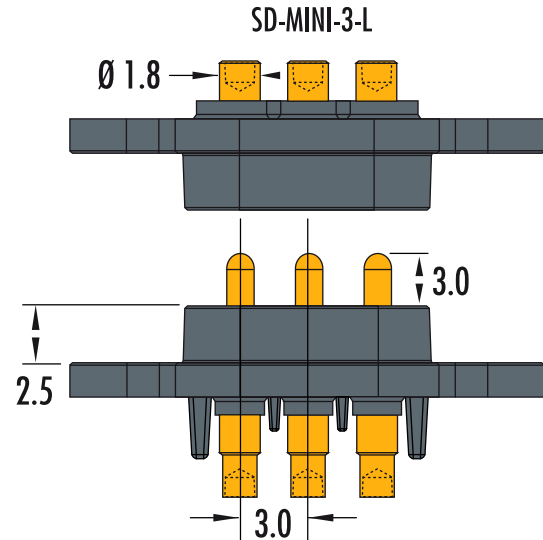


**SD-MINI-3**  
Spring loaded Interface  
array, no PCB, solder pot

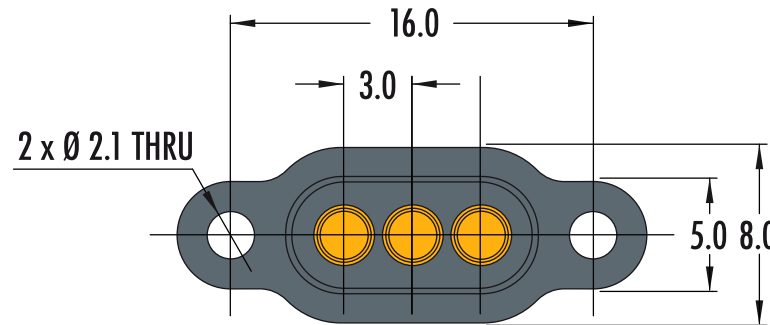


**Test Probes &  
Interfacing Components**

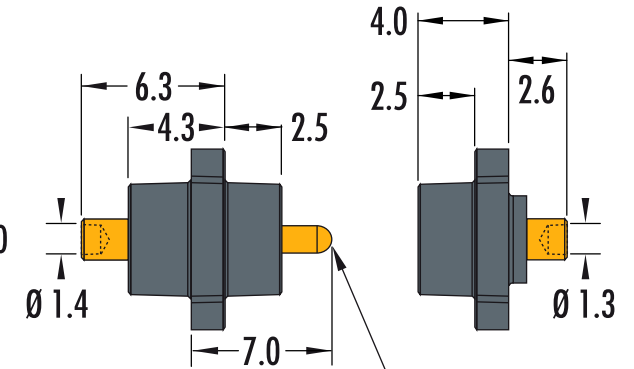
Telephone: +44 (0)1787 478678 | sales@coda-systems.co.uk | technical@coda-systems.co.uk | Fax: +44 (0)1787 274194



SD-MINI-3-L  
SD-MINI-3-SC  
Top view



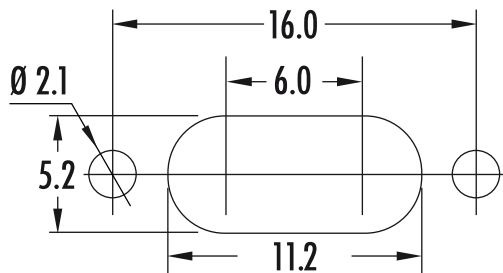
Land front view



Side view

SPRING FORCE AT 1.3mm TRAVEL	100g
COMBINED SPRING FORCE (x3)	300g

Spring contact: PD14JST-SP  
Contact land: IPPS2S



Panel cut-out dimensions

PART NUMBER		<b>SD-MINI-3-L</b> <b>SD-MINI-3-SC</b>	REGISTERED COMMUNITY DESIGN REGISTRATION NUMBER 002 124 362-0001	THE INFORMATION CONTAINED IN THIS DRAWING IS THE PROPERTY OF © CODA SYSTEMS LTD. NOT TO BE COPIED OR DISCLOSED TO A THIRD PARTY WITHOUT THE PRIOR, WRITTEN CONSENT OF CODA SYSTEMS LTD.	
SIZE	SCALE	PLASTIC TYPE	TOLERANCES	UNLESS OTHERWISE SPECIFIED 1. DIMENSIONS ARE IN MM 2. DIMENSIONAL LIMITS APPLY AFTER PLATING / COATING 3. REMOVE ALL BURRS AND BREAK EDGES .25 MAX 4. MACHINE FILLET RADIUS .25 MAX 5. MACHINED SURFACES FLAT WITHIN 0.08 mm/mm 6. NON-MACHINED SURFACES FLAT WITHIN 0.25 mm/mm 7. DIAMETERS ON COMMON CL TO BE CONCENTRIC WITHIN 0.13 8. PERPENDICULAR SURFACES TO BE SQUARE WITHIN .13 mm/mm 9. REFERENCE ( ) DIMENSIONS HAVE NO TOLERANCES	
<b>A4</b>	<b>3:1</b>	<b>POLYAMIDE PA66</b>	LINEAR .x = ± 0.2mm .xx = ± 0.10mm .xxx = ± 0.025mm SURFACE ANGULAR ± 1°		
RoHS Compliant? <input checked="" type="checkbox"/>			DRAWN IN ACCORDANCE WITH ANSI STANDARDS		
ENGINEER	VERSION	CHECKED BY	DATE		
<b>K. PERRY</b>	<b>D2</b>	<b>H. DAVIS</b>	<b>05/04/19</b>		