

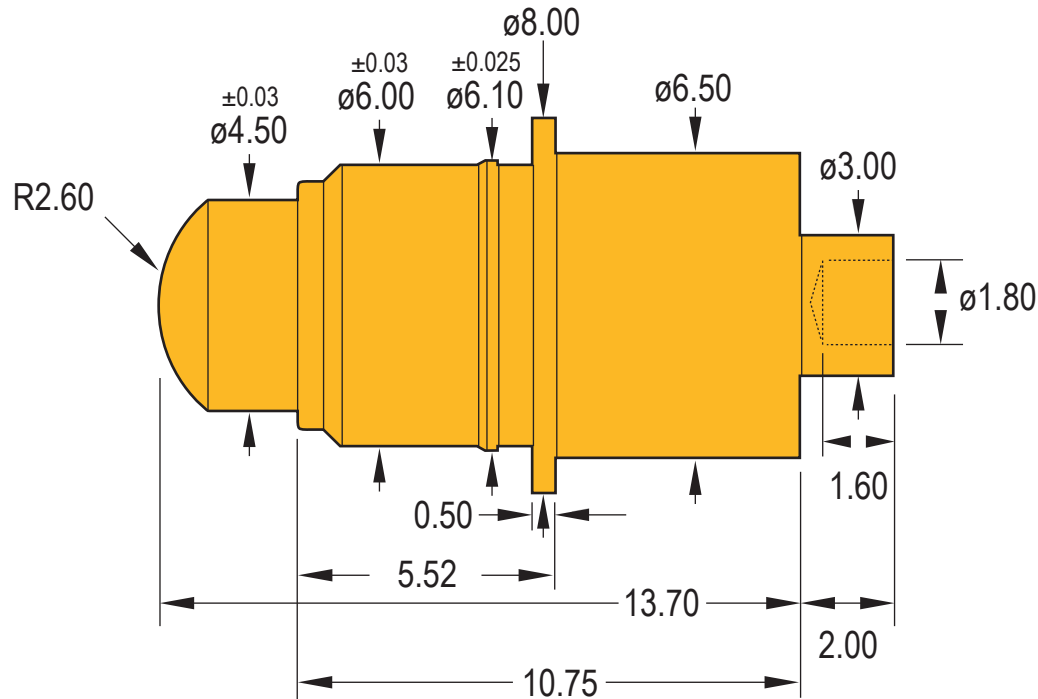
# Spring contact pin, back fitment

## PD16JXT-SP - Heavy spring



# Test Probes & Interfacing Components

Telephone: +44 (0)1787 478678 | sales@coda-systems.co.uk | technical@coda-systems.co.uk | Fax: +44 (0)1787 274194



### Specifications

#### Materials

Plunger 1, Plunger 2 & Barrel; Brass C3604  
Spring; SUS304

#### Plating

Contact Surface;  
0.25µm minimum Au over 1-2µm Ni

#### Electrical

Rated current & voltage at working height;  
Quiescent use; 12amps DC, 5V  
Active use; 6amps DC, 5V

#### Mechanical

Spring force; 325g +/-20% at working height

#### Design

To ensure the best usage, please ensure operation position is based on the working height

#### Installation

- Press fitment from the back
- Mounting hole size; 6.00mm
- Plunger travel at working height; 2.05mm
- Connection method; Solder pot or solder in
- Panel thickness; 5.0mm

PART NUMBER <b>PD16JXT-SP</b>		THE INFORMATION CONTAINED IN THIS DRAWING IS THE PROPERTY OF © CODA SYSTEMS LTD. NOT TO BE COPIED OR DISCLOSED TO A THIRD PARTY WITHOUT THE PRIOR, WRITTEN CONSENT OF CODA SYSTEMS LTD.	
SIZE <b>A4</b>	SCALE <b>NTS</b>	DRAWN IN ACCORDANCE WITH ISO STANDARDS	<b>UNLESS OTHERWISE SPECIFIED</b> 1. DIMENSIONS ARE IN MM 2. DIMENSIONAL LIMITS APPLY AFTER PLATING / COATING 3. REMOVE ALL BURRS AND BREAK EDGES .25 MAX 4. MACHINE FILLET RADIUS .25 MAX 5. MACHINED SURFACES FLAT WITHING 0.08 mm/mm 6. NON-MACHINED SURFACES FLAT WITHIN 0.25 mm/mm 7. DIAMETERS ON COMMON CL TO BE CONCENTRIC WITHIN 0.13 8. PERPENDICULAR SURFACES TO BE SQUARE WITHIN .13 mm/mm 9. REFERENCE ( ) DIMENSIONS HAVE NO TOLERANCES
<b>RoHS Compliant?</b>		VERSION <b>D2</b>	
<input checked="" type="checkbox"/>		DATE <b>3/7/18</b>	